

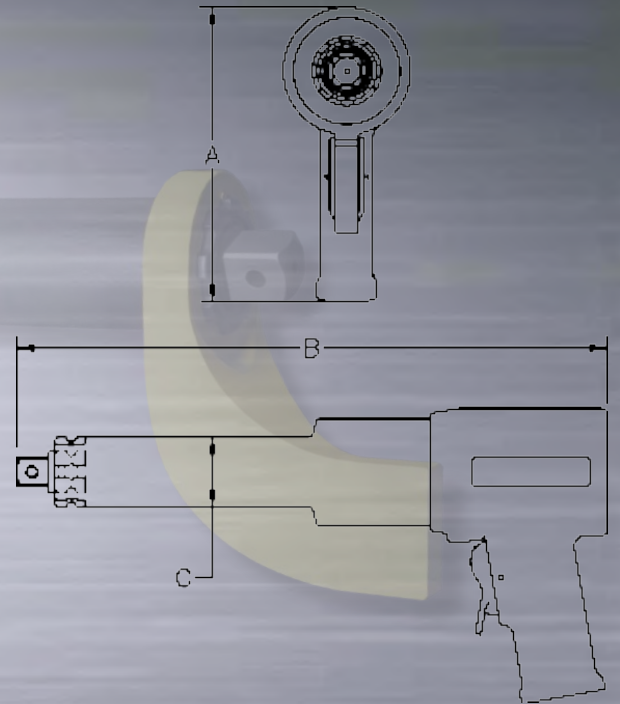


TorquuiTM
**EXTENDING
YOUR REACH**

RP/VT INTEGRAL EXTENSION

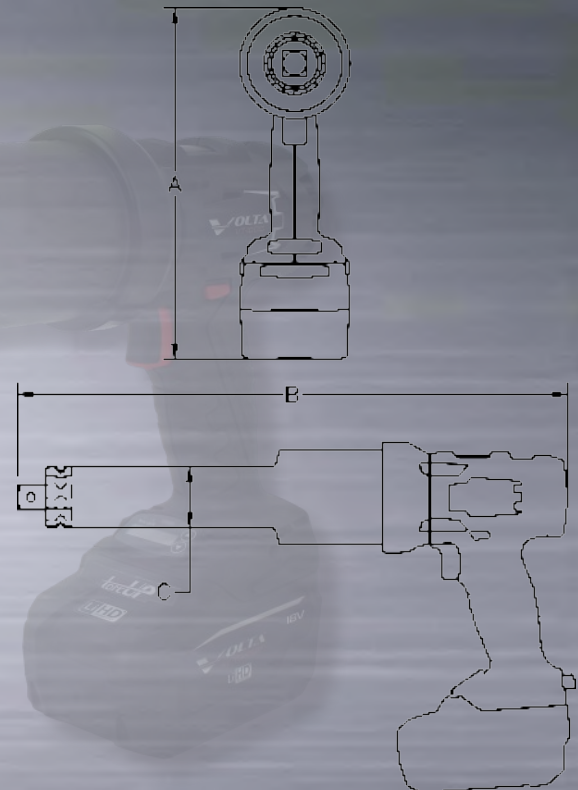
RP E6

| MODEL NUMBER | RP-1000E6 |
|------------------------------|-----------|
| SQUARE DRIVE | 3/4" |
| MIN. TORQUE (LBF-FT) | 148 |
| MAX. TORQUE (LBF-FT) | 1030 |
| MIN. TORQUE (NM) | 201 |
| MAX. TORQUE (NM) | 1396 |
| HEIGHT A (IN) | 7.89" |
| HEIGHT A (MM) | 200.4 |
| LENGTH B (IN) | 15.79" |
| LENGTH B (MM) | 401.2 |
| DIAMETER C (IN) | 1.86" |
| DIAMETER C (MM) | 42.2 |
| WEIGHT (LBS) W/ REACTION ARM | 15 |
| WEIGHT (KG) W/ REACTION ARM | 6.8 |
| RPM @ 10 PSI | 7 |
| RPM @ MAX PSI | 15 |
| TOOL MAX PSI | 70 |



VT E6

| MODEL NUMBER | VT-1000E6 |
|--|-----------|
| SQUARE DRIVE | 3/4" |
| MIN. TORQUE (LBF-FT) | 240 |
| MAX TORQUE (LBF-FT) | 1000 |
| MIN. TORQUE (NM) | 330 |
| MAX TORQUE (NM) | 1350 |
| HEIGHT A (W/ BATTERY) (IN) | 10.40" |
| HEIGHT A (W/ BATTERY) (MM) | 265 |
| LENGTH B (IN) | 16.49" |
| LENGTH B (MM) | 418.8 |
| DIAMETER C (IN) | 1.86" |
| DIAMETER C (MM) | 47.2 |
| WEIGHT (W/ REACTION ARM & BATTERY) (LBS) | 18.5 |
| WEIGHT (W/ REACTION ARM & BATTERY) (KG) | 8.4 |
| RPM AT MIN. TORQUE | 2 |
| RPM AT MAX TORQUE | 8 |



TorCUP™

TorcUP Inc. 1025 Conroy Place Easton, PA. 18040 USA 1-888-TorcUP-1 +1 610-250-5800

www.TorcUP.com Sales@TorCUP.com

TorcUP products are subject to continual development and TorcUP reserves the right to make changes to the specifications and design of their products without prior notice. All rights are reserved. Reproduction in whole or in part without permission of TorcUP Inc. is prohibited.